

Mixing Solutions for Chemical Injection Package

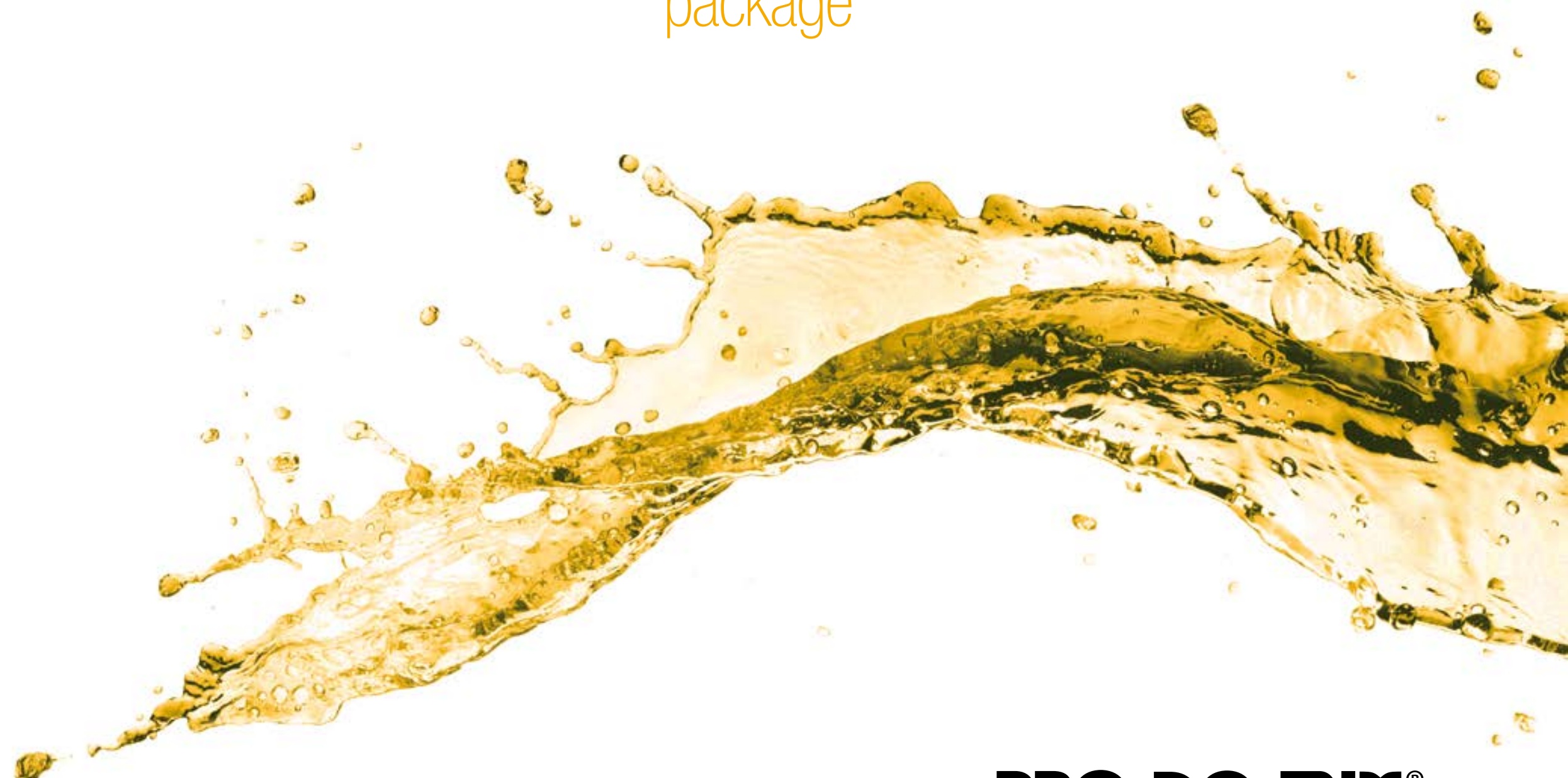
PRO-DO-MIX's expertise in engineering and manufacturing vertical agitators for Chemical Preparation and Dosing Skids makes us able to meet the challenges of Chemical Injection within Oil & Gas Industry, providing a broad range of customized mixing solutions.

Our extensive process experience as well as multiple references worldwide make PRO-DO-MIX's agitators perfect for heavy duty chemical solution injection, preparation and storage within the Petrochemical Industry.



PRO-DO-MIX

oil & gas chemical injection package



PRO-DO-MIX® srl
Via I strada, 5 - 35026 Conselve (PD) - ITALY
Tel. +39 049 9501368
prodomix.com

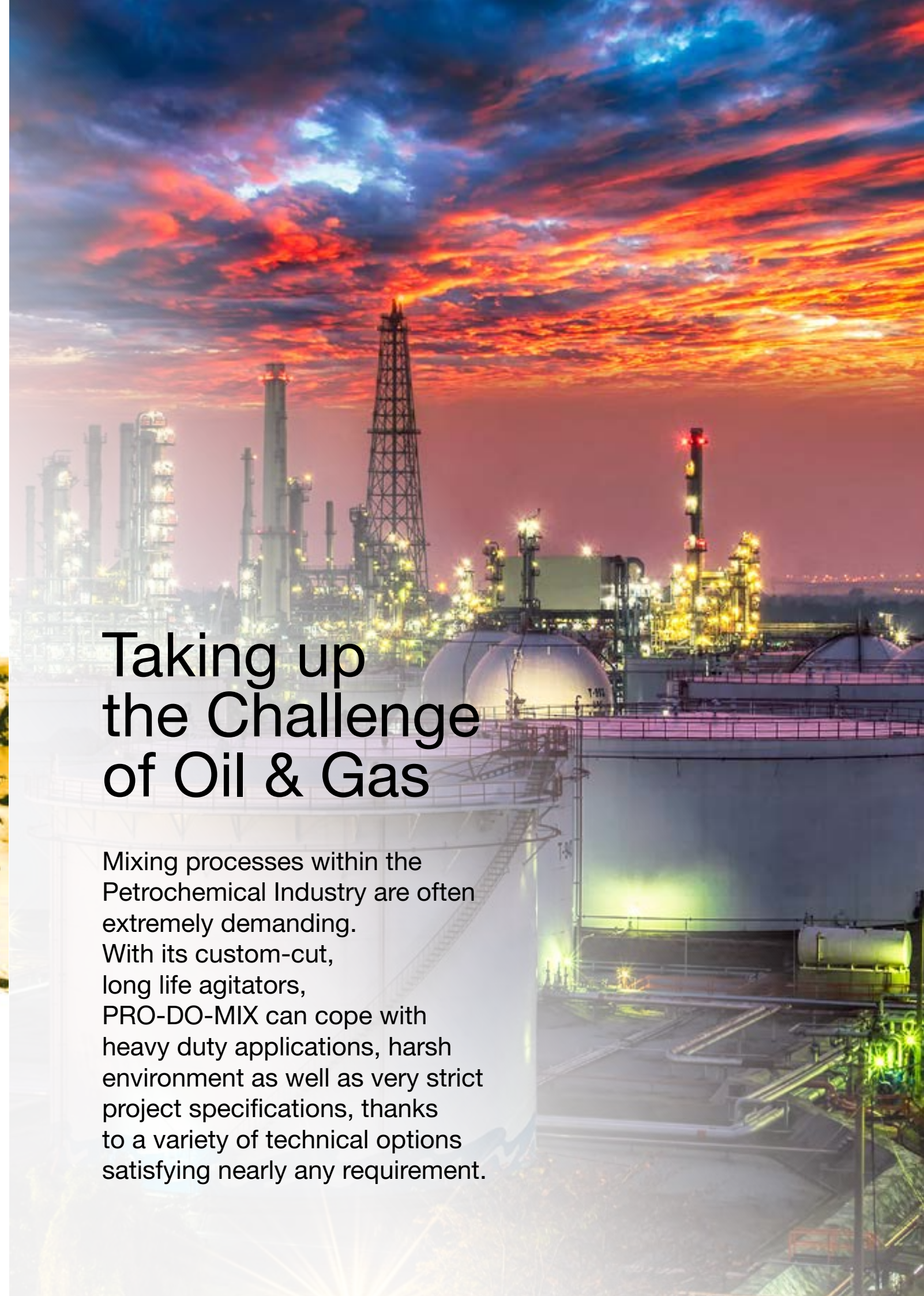


Stampato su carta SFC

PRO-DO-MIX®
PRODUZIONE DOSAGGIO MISCELAZIONE

Taking up the Challenge of Oil & Gas

Mixing processes within the Petrochemical Industry are often extremely demanding. With its custom-cut, long life agitators, PRO-DO-MIX can cope with heavy duty applications, harsh environment as well as very strict project specifications, thanks to a variety of technical options satisfying nearly any requirement.





mounting flange:

- ASME B16,5 ANSI 150 / ANSI 300 RF / FF
- UNI PN10 / PN16

wetted parts MOC:

- Stainless Steel SS 316L
- Duplex SS (SAF™ 2205) / Super Duplex SS (SAF™ 2507)
- Different linings (Halar® ECTFE, Ebonite rubber, etc.)



typical applications

Injection, preparation and storage of chemicals, e.g.:

- additives
- ammonia
- antifoam
- antifouling
- anti-oxidant
- biocide
- calcium hypochlorite
- demulsifier
- dimethyl disulfide
- hydrazine
- hydrochloric acid
- lubricity improver
- neutralizing amine
- nutrients
- phosphate
- oxygen scavenger
- scale/corrosion inhibitor
- sodium hydroxide
- sodium hypochlorite
- trisodium phosphate

bearing for shaft support:

- Welded house bearing MOC carbon steel painted or SS
- bottom guide bearing to be welded to the tank bottom

impeller:

- marine propeller
- 4 pitched blade turbine
- high-efficiency profile
- each blade detachable
- multiple impeller levels

drive unit painting:

- C5-I / C5-M
- according to client's project specifications

agitator design and technical range

- Operation and compliance:
- direct or geared drive
 - different gearbox configurations and speed ratio according to the application
 - ATEX certified (2014/34/EU-ATEX for installation within hazardous environment (Potentially Explosive Atmosphere) II 2G IIB T4 II 2D c IIIB T135°C ambient temp. -20/+40°C)
 - EAC - TR-CU certified with EAC marking for export to Russia (TR CU 010-012, ambient temp. -49/+40°C) with technical passport and IOM manual in Russian language)

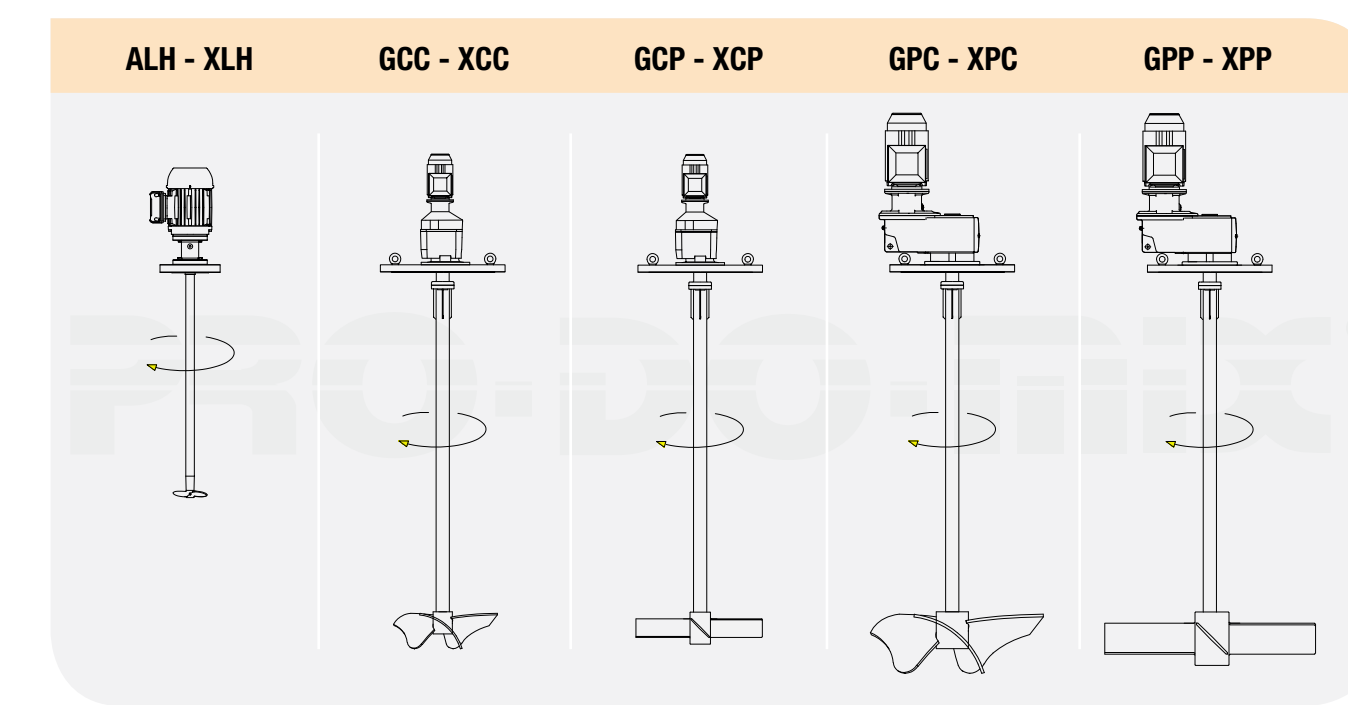


sealing:

- radial shaft seal
- single or double mechanical seal
- stuffing box

tank volume range

100 litre up to 30 m³



| PRO-DO-MIX® | | | drive unit | | impeller | | shaft | |
|-------------|----------------|-------------|--------------------------------------|------------|--------------------------|---------------|------------|------------|
| model | classification | kW | gearbox type | rpm | impeller type | impeller Ø mm | shaft Ø mm | shaft L mm |
| ALH | safe area | 0,37 + 1,5 | NA (direct drive with house bearing) | 900 + 1700 | marine | 90 + 160 | 20 + 60 | 600 + 6000 |
| GCC | safe area | 0,37 + 0,75 | coaxial | 30 + 200 | high-efficiency 3PM-1084 | 130 + 1500 | | |
| GCP | safe area | 0,37 + 0,75 | coaxial | 30 + 200 | 4PBT45° | 130 + 1500 | | |
| GPC | safe area | 0,75 + 7,5 | parallel axis | 30 + 200 | high-efficiency 3PM-1084 | 130 + 1500 | | |
| GPP | safe area | 0,75 + 7,5 | parallel axis | 30 + 200 | 4PBT45° | 130 + 1500 | | |
| XLH | ATEX | 0,37 + 1,5 | NA (direct drive with house bearing) | 900 + 1700 | marine | 90 + 160 | | |
| XCC | ATEX | 0,37 + 0,75 | coaxial | 30 + 200 | high-efficiency 3PM-1084 | 130 + 1500 | | |
| XCP | ATEX | 0,37 + 0,75 | coaxial | 30 + 200 | 4PBT45° | 130 + 1500 | | |
| XPC | ATEX | 0,75 + 7,5 | parallel axis | 30 + 200 | high-efficiency 3PM-1084 | 130 + 1500 | | |
| XPP | ATEX | 0,75 + 7,5 | parallel axis | 30 + 200 | 4PBT45° | 130 + 1500 | | |